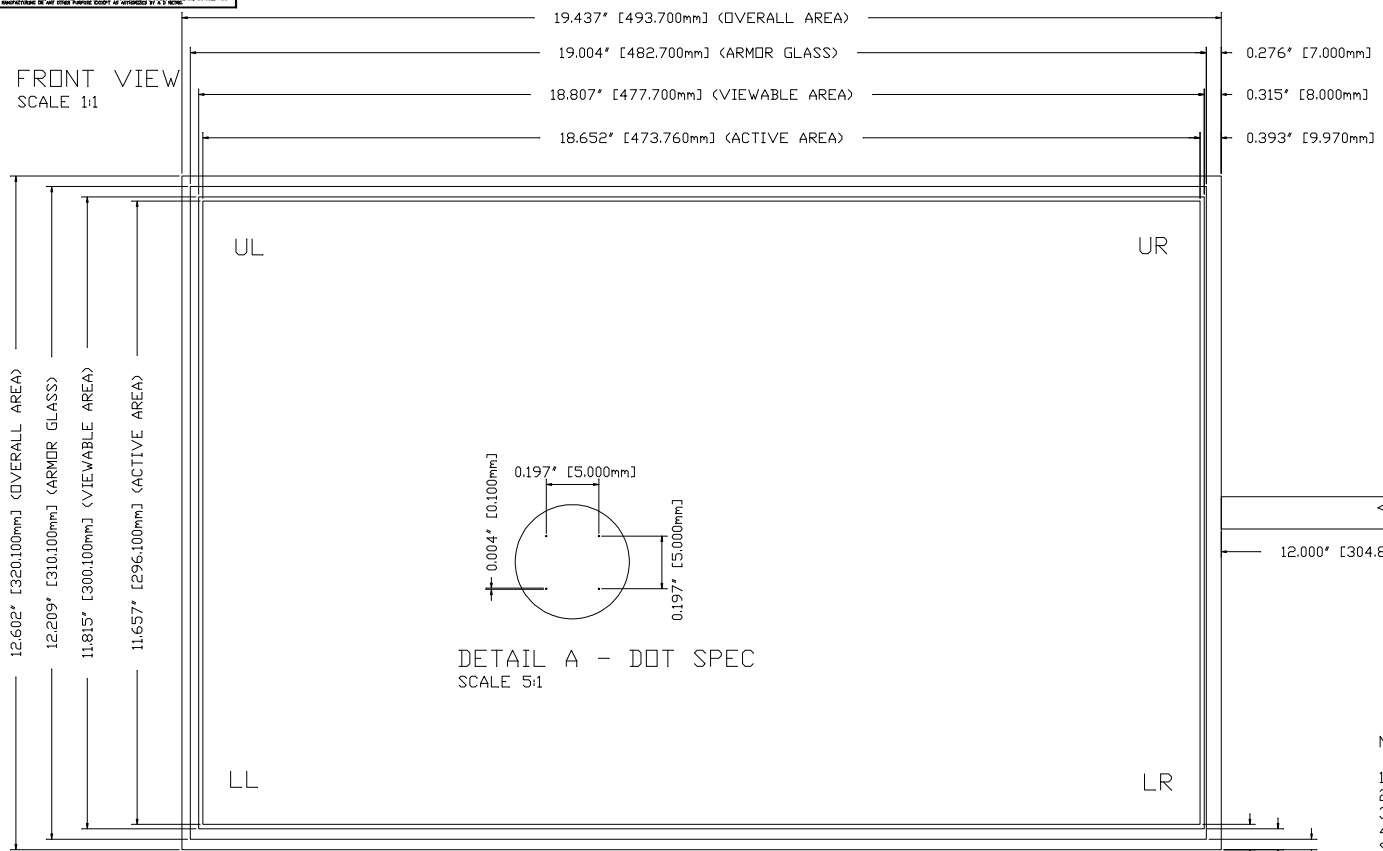


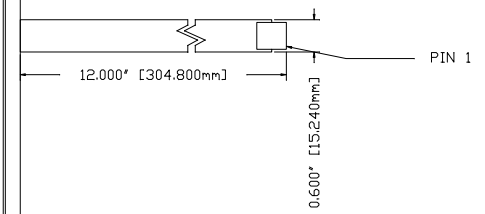
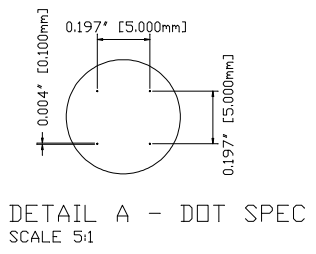
THIS DRAWING IS THE PROPERTY OF AD METRO. IT IS TO BE USED ONLY FOR THE PROJECT AND PURPOSE SPECIFIED. IT IS NOT TO BE REPRODUCED, COPIED, OR TRANSMITTED IN ANY FORM OR BY ANY MEANS, ELECTRONIC OR MECHANICAL, INCLUDING PHOTOCOPYING, RECORDING, OR BY ANY INFORMATION STORAGE AND RETRIEVAL SYSTEM, WITHOUT THE WRITTEN PERMISSION OF AD METRO.

REVISIONS			
LET	DESCRIPTION	DATE	BY
A	INITIAL RELEASE	10-27-11	DZ

**FRONT VIEW**  
SCALE 1:1



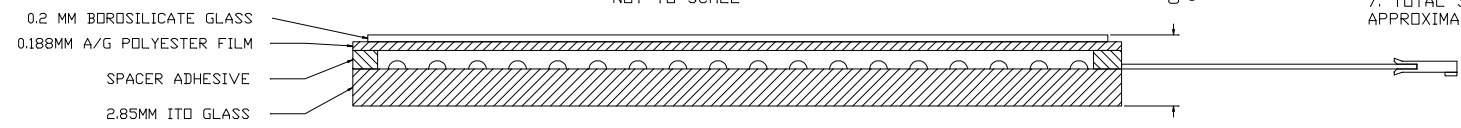
PIN	DESC
1	LL
2	UL
3	SENSE
4	LR
5	UR



**NOTES:**

- SUBSTRATE: 2.85MM ITO GLASS.
- SAFETY SEAM ON ALL EDGES
- ALL DIMENSIONS IN INCHES (MILLIMETERS)
- CABLE: 5-PIN FPC TAIL. CABLE MUST BE SENT SEPARATELY.
- CONNECTOR: AMP TYPE WITH 0.1" CENTERS, NON LATCHING, PART NUMBER 487378-4
- TOUCH SCREEN TO BE ACTIVATED WITHIN ACTIVE AREA ONLY. NON-ACTIVE AREA MUST HAVE A SCREENED ON DIELECTRIC AND NO CONDENSED DOTS. NO SILVER TRACES FROM LINEARITY PATTERN VISIBLE WITHIN VIEWABLE AREA.
- TOTAL SENSOR THICKNESS: 0.133" [3.37MM] APPROXIMATE

**SIDE VIEW**  
NOT TO SCALE



**ADmetro** A D METRO - 1081 PARISEN ST - OTTAWA, ONTARIO

**AD22.0ULTRA**

TOLERANCING UNLESS OTHERWISE SPECIFIED DIMENSIONS IN INCHES DECIMALS DO NOT SCALE DRAWING	DRAWN BY: DZ DATE: 10-27-11	PROJECT/ASSET NO.: ---	FORM: SCALE SHEET: 1 OF 1
PROJECT NAME: AD-22.0-5RU-203		PWT: AD-22.0-5RU-203	